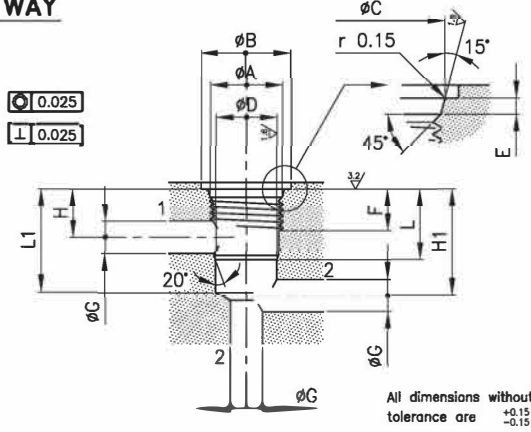
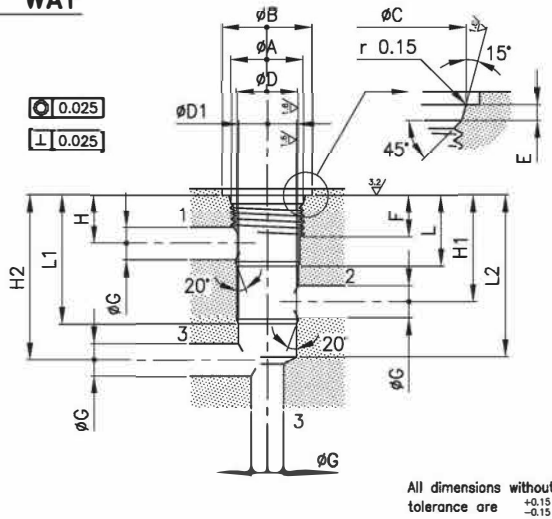


2 WAY



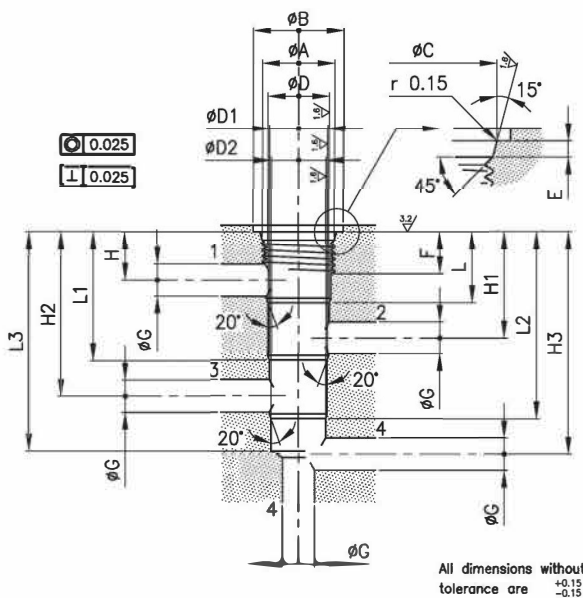
	S 20/2	S 30/2	S 50/2	S 70/2
A	M 18x1.5	M 22x1.5	M 33x2	M 42x2
B	23	28	40	50
C	19.8 ^{+0.10} / ₋₀	23.8 ^{+0.10} / ₋₀	35.4 ^{+0.10} / ₋₀	44.4 ^{+0.10} / ₋₀
D	15 ^{+0.027} / ₋₀	19 ^{+0.033} / ₋₀	28 ^{+0.033} / ₋₀	38 ^{+0.039} / ₋₀
E	2.6 ^{+0.20} / _{-0.20}	2.6 ^{+0.20} / _{-0.20}	3.3 ^{+0.20} / _{-0.20}	3.3 ^{+0.20} / _{-0.20}
F	11	13	16	19
G	8	10.5	15	20
H	13	15	21	26
H1	28	33	46	57
L	18.5	22	32	39
L1	27	32	42	52

3 WAY



	S 20/3	S 30/3	S 50/3	S 70/3
A	M 18x1.5	M 22x1.5	M 33x2	M 42x2
B	23	28	40	50
C	19.8 ^{+0.10} / ₋₀	23.8 ^{+0.10} / ₋₀	35.4 ^{+0.10} / ₋₀	44.4 ^{+0.10} / ₋₀
D	15 ^{+0.027} / ₋₀	19 ^{+0.033} / ₋₀	28 ^{+0.033} / ₋₀	38 ^{+0.039} / ₋₀
D1	14 ^{+0.027} / ₋₀	18 ^{+0.027} / ₋₀	27 ^{+0.033} / ₋₀	36 ^{+0.039} / ₋₀
E	2.6 ^{+0.20} / _{-0.20}	2.6 ^{+0.20} / _{-0.20}	3.3 ^{+0.20} / _{-0.20}	3.3 ^{+0.20} / _{-0.20}
F	11	13	16	19
G	8	10.5	15	20
H	13	15	21	26
H1	28	33	46	57
H2	43	51	71	88
L	18.5	22	32	39
L1	33.5	40	56	70
L2	42	50	66	83

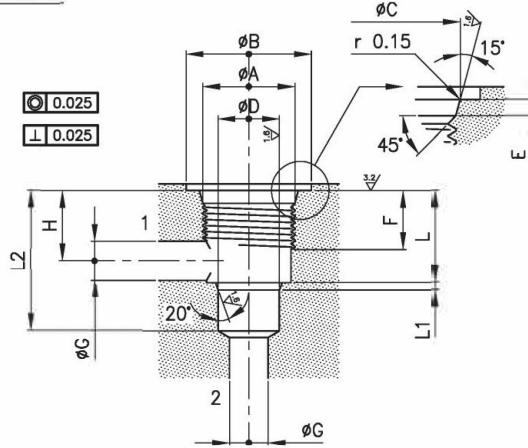
4 WAY



	S 20/4	S 30/4	S 50/4	S 70/4
A	M 18x1.5	M 22x1.5	M 33x2	M 42x2
B	23	28	40	50
C	19.8 ^{+0.10} / ₋₀	23.8 ^{+0.10} / ₋₀	35.4 ^{+0.10} / ₋₀	44.4 ^{+0.10} / ₋₀
D	15 ^{+0.027} / ₋₀	19 ^{+0.033} / ₋₀	28 ^{+0.033} / ₋₀	38 ^{+0.039} / ₋₀
D1	14 ^{+0.027} / ₋₀	18 ^{+0.027} / ₋₀	27 ^{+0.033} / ₋₀	36 ^{+0.039} / ₋₀
D2	13 ^{+0.027} / ₋₀	17 ^{+0.027} / ₋₀	26 ^{+0.033} / ₋₀	34 ^{+0.039} / ₋₀
E	2.6 ^{+0.20} / _{-0.20}	2.6 ^{+0.20} / _{-0.20}	3.3 ^{+0.20} / _{-0.20}	3.3 ^{+0.20} / _{-0.20}
F	11	13	16	19
G	8	10.5	15	20
H	13	15	21	26
H1	28	33	46	57
H2	43	51	71	88
H3	58	69	96	119
L	18.5	22	32	39
L1	33.5	40	56	70
L2	48.5	58	80	101
L3	57	68	90	114

17_000

2 WAY

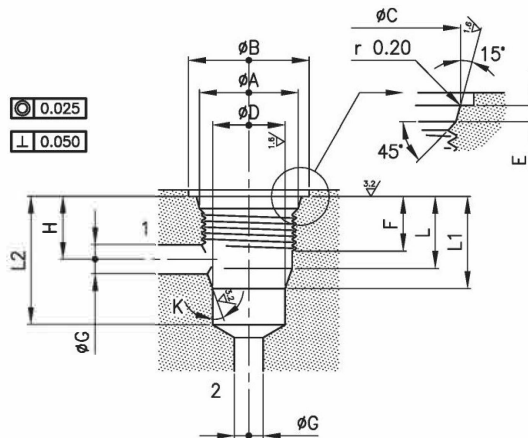


All dimensions without tolerance are $+0.15$ -0.15

S 28/2

A	3/4-16 UNF		
B	25		
C	20.6 $+0.10$ -0		
D	12.7 $+0.05$ -0		
E	2.6 $+0.30$ -0		
F	12		
G	8.5		
H	14		
L	18.5 $+0.15$ -0.15		
L1	1 $+0.15$ -0.15		
L2	29 $+0.50$ -0		

2 WAY

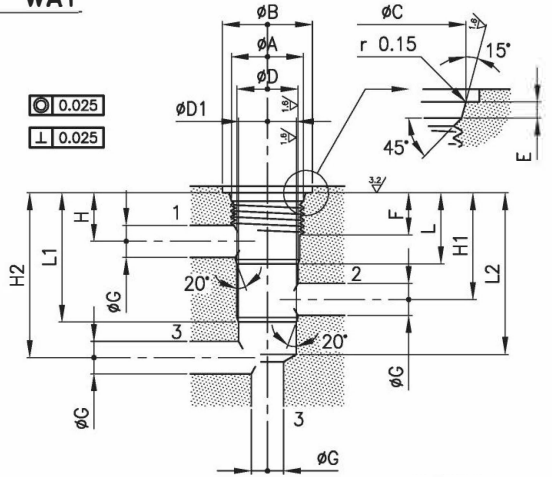


All dimensions without tolerance are $+0.15$ -0.15

S 29/2 S 32/2P S 32/2B

A	3/4-16 UNF	M 20x1.5	M 20x1.5
B	25	24	28
C	20.6 $+0.10$ -0	21.4 $+0.20$ -0	22.2 $+0.10$ -0
D	15.87 $+0.05$ -0	15 $+0.027$ -0	15 $+0.027$ -0
E	2.6 $+0.30$ -0	3.2 $+0.20$ -0	3.2 $+0.20$ -0
F	14	12	12
G	8	6	6
H	13	13	13
L		14.5	14.5
L1	20.5		
L2	29	26.5	26.5
K	20°	30°	35°

3 WAY

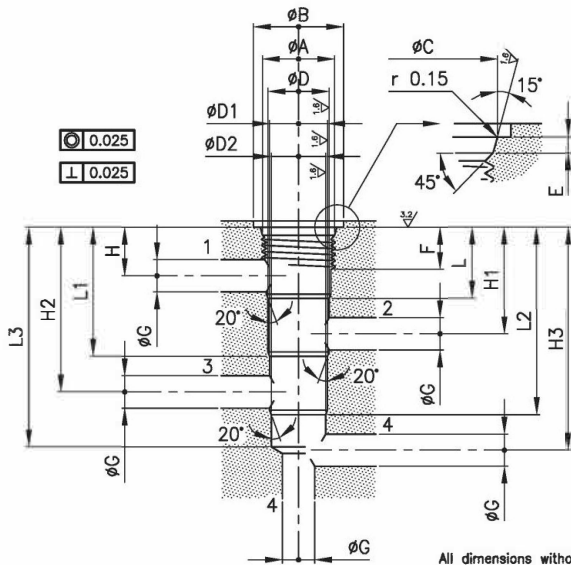


All dimensions without tolerance are $\begin{matrix} +0.15 \\ -0.15 \end{matrix}$

S 28/3

A	3/4-16 UNF
B	25
C	20.6 $\begin{matrix} +0.10 \\ -0 \end{matrix}$
D	15.87 $\begin{matrix} +0.05 \\ -0 \end{matrix}$
D1	14.27 $\begin{matrix} +0.05 \\ -0 \end{matrix}$
E	2.6 $\begin{matrix} +0.30 \\ -0 \end{matrix}$
F	12.5
G	6
H	15
H1	29
H2	44
L	20.5
L1	34.5
L2	50

4 WAY



All dimensions without tolerance are $\begin{matrix} +0.15 \\ -0.15 \end{matrix}$

S 28/4

A	3/4-16 UNF
B	25
C	20.6 $\begin{matrix} +0.10 \\ -0 \end{matrix}$
D	15.87 $\begin{matrix} +0.05 \\ -0 \end{matrix}$
D1	14.27 $\begin{matrix} +0.05 \\ -0 \end{matrix}$
D2	12.70 $\begin{matrix} +0.05 \\ -0 \end{matrix}$
E	2.6 $\begin{matrix} +0.30 \\ -0 \end{matrix}$
F	12.5
G	6
H	15
H1	29
H2	43
H3	58
L	20.5
L1	34.5
L2	49
L3	60

On standard bodies are normally provided with ports B (UNI 338-66).
 Also bodies with ports D - I - S type can be supplied on request.

	Code	A	B	C	D	E	F	G	H	
B Type (UNI 338-66) 	B04	G 1/8	8	16.5	8.50	1.5	12	4	0.75	
	B05	G 1/4	12	21.2	11.50	1.5	16	6.5	1.00	
	B06	G 3/8	12	24.5	15.00	1.5	16	9.5	1.00	
	B08	G 1/2	14	29.2	18.75	2.0	19	13	1.25	
	B12	G 3/4	16	35.6	24.25	2.0	23	19	1.25	
	B16	G 1	18	43.5	30.50	3.0	26	25	1.50	
	B20	G 1.1/4	20	53	39.00	3.0	29	32	1.50	
D Type (UNI 4534-64) 	D04	M 12x1.5	12	21.2	10.25	1.5	16	4	1.00	
	D05	M 14x1.5	12	22.8	12.25	1.5	16	6.5	1.00	
	D06	M 18x1.5	12	26	16.25	2.0	16	9.5	1.00	
	D08	M 22x1.5	14	32.4	20.25	2.0	19	13	1.00	
	D12	M 26x1.5	16	35.6	24.25	2.0	23	19	1.00	
	D16	M 33x2	18	43.5	30.50	3.0	26	25	1.50	
	D20	M 42x2	20	53	39.50	3.0	29	32	1.50	
	Code	A	B	C	D	E	F	G	H	L
I Type (ISO 6149) 	I04	M 12x1.5	11.5	22	10.25	13.8	14	1.5	4	2.4
	I05	M 14x1.5	11.5	25	12.25	15.8	14	1.5	6.5	2.4
	I06	M 18x1.5	14.5	29	16.25	19.8	16.5	2	9.5	2.4
	I08	M 22x1.5	15.5	34	20.25	23.8	18	2	13	2.4
	I12	M 27x2	19	40	24.50	29.4	22	2	19	3.1
	I16	M 33x2	19	46	30.50	35.4	22	2.5	25	3.1
	I20	M 42x2	19.5	56	39.50	44.4	22.5	2.5	32	3.1
S Type (SAE-UNF-2B) 	S04	7/16-20	12	21	9.8	12.4	14	1.5	4	2.4
	S05	1/2-20	12	23	11.4	14	14	1.5	6.5	2.4
	S06	9/16-18	13	25	12.8	15.6	16	2	9.5	2.5
	S08	3/4-16	15	30	17.4	20.6	18	2	13	2.5
	S12	1.1/16-12	19	41	24.7	29.2	23	2	19	3.3
	S16	1.5/16-12	19	49	31	35.5	23	2.5	25	3.3
	S20	1.5/8-12	19	58	39	43.5	23	2.5	32	3.3

* (S04-S05-S06 = 12°)